

DWG STATUS					ZONE	REVISION HISTORY	AUTH	DR	APVD1	APVD2
DATE	STG	REV	N/P	CHG						
280C13		00				6-QW-36(310)-LT1	5004706	YYH	HFZ	ZGG

TOP VIEW DIMENSIONS ARE FROM EDGE OF COVER-INT

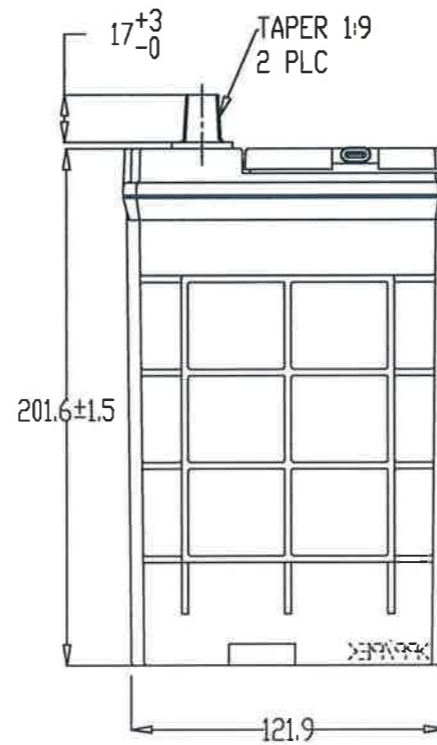
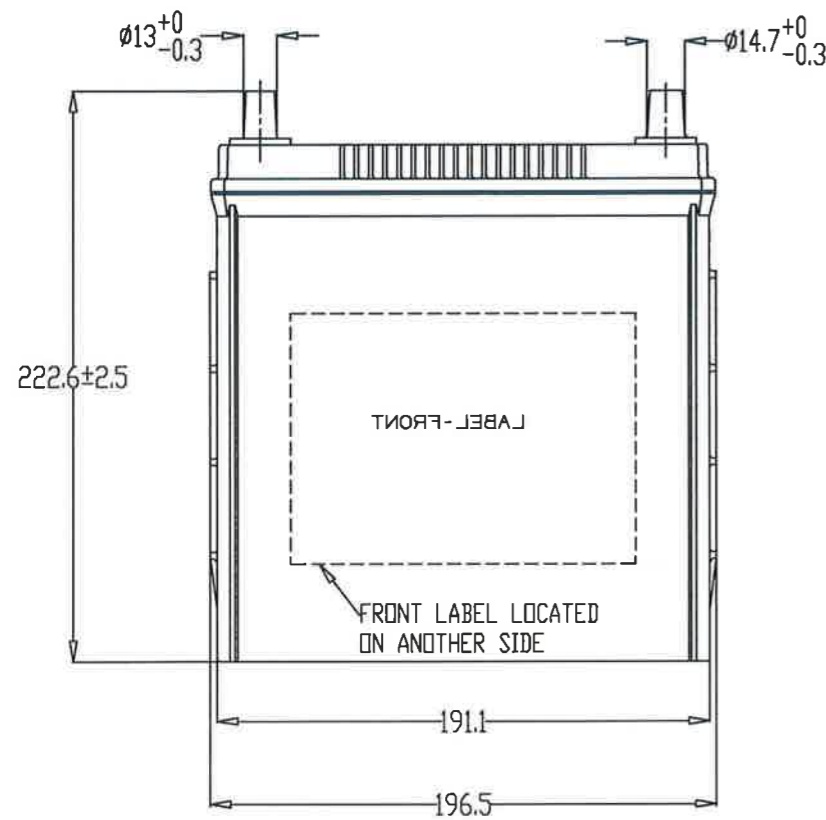
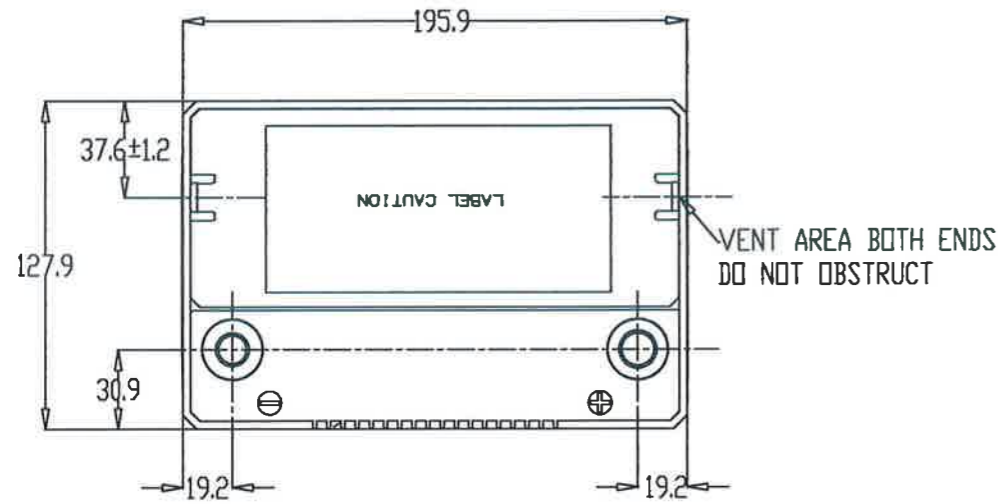
APPLICATION DATA

JCI MODEL NAME: 6-QW-36(310)-LT1
 GROUP SIZE: B20

PERFORMANCE RATINGS: 12 VOLTS
 COLD CRANKING AMPERES AT -18°C 310 AMPS
 20 HOUR RATE: AMP HR (REF) 36 AH

RECOMMENDED MAXIMUM CHARGING OR OPERATING TEMPERATURE 52°C

INSTALLATION INSTRUCTIONS:
 RECOMMENDED TERMINAL TORQUE SPECIFICATIONS:
 TOP TERMINAL POST 5.6~7.9(N.m)
 RECOMMENDED RETAINER TORQUE SPECIFICATIONS:
 BASE CLAMP 15~20(N.m)
 TOP BAR/FRAME 2.3~4.5 (N.m)



UNLESS OTHERWISE SPECIFIED

THIS DOCUMENT IS IN ACCORDANCE WITH ASME Y14.5M-1994 AS AMENDED BY THE GM GLOBAL DIMENSIONING AND TOLERANCING ADDENDUM-1997. ALL GEOMETRIC TOLERANCES AND RELATED DATUMS APPLY RFS. RULE #1 (PERFECT FORM AT MMC) DOES NOT APPLY WHEN RELATIONSHIP BETWEEN FEATURES IS ESTABLISHED BY ORIENTATION OR LOCATION TOLERANCES. SEPARATE POSITION CALLOUTS MAY BE GAGED SEPARATELY REGARDLESS OF DATUM REFERENCES.

ALL DIMENSIONS ARE IN MILLIMETERS

ZERO PLACE DECIMALS ± 1
 ONE PLACE DECIMALS ± 1
 TWO PLACE DECIMALS ± 0.5

ANGLES ± 1 DEGREE

REFERENCE

THIRD ANGLE PROJECTION
 DO NOT SCALE
 USE MATH DATA



JOHNSON CONTROLS BATTERY GROUP, INC.
 CONFIDENTIAL AND PROPRIETARY INFORMATION

NOTICE: THIS DRAWING IS FURNISHED FOR REFERENCE ONLY. THE FURNISHING OF THIS DRAWING OR ANY REPRODUCTIONS THERE OF, DOES NOT CONVEY ANY MANUFACTURING RIGHTS.

		DATE
DR	YY.HE	18.03.2013
APVD1	HF.ZHAD	
APVD2	ZG.GAO	
APVD3		
APVD4		
APVD5		

MATERIAL

DRAWING NAME
 BATTERY OUTLINE

DRAWING NUMBER
 30017201

SIZE	SCALE	FRAME NO	SHEET NO	STG	REV	N/P
A2	1:2	1 OF 1	1 OF 1	-	00	-